

Features:

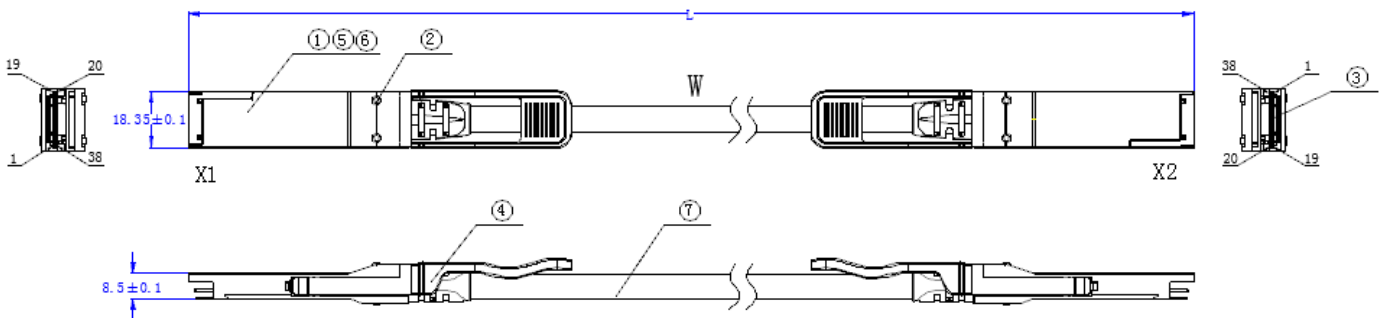
- QSFP+ conforms to the Small Form Factor SFF-8436
- Up to 14.0625 Gbps data rate per channel
- Maximum aggregate data rate: 56 Gb/s (4 x 14.0625 Gb/s)
- Up to 7m transmission
- Operating temperature: 0~70°
- Single 3.3V power supply
- I2C based two-wire serial interface
- RoHS compliant



Applications:

- InfiniBand4x FDR

1. Outline Drawing



Note: External physical characteristics are subject to variation. This may include, but is not limited to, external case designs, pull tab colors and/or shapes, removal latch styles or colors, and label sizes and placement. These variations do not affect the function or characteristics of the transceivers.

2. General Product Characteristics

QSFP+ DAC Specifications	
Number of Lanes	Tx & Rx
Channel Data Rate	14.0625 Gbps
Operating Temperature	0 to + 70°C
Storage Temperature	-40 to + 85°C
Supply Voltage	3.3 V nominal
Electrical Interface	38 pins edge connector
Management Interface	Serial, I2C

3. Performance Information

Parameter	Symbol	Min	Typical	Max	Unit	Note
Differential Impedance	TDR	90	100	110	Ω	
Insertion loss	SDD21	-17.04			dB	At 5.15625 GHz
Differential Return Loss	SDD11			See 1	dB	At 0.05 to 4.1 GHz
	SDD22			See 2		
Differential to common-mode return loss	SCD11 SCD22			-10	dB	At 0.2 to 11.1 GHz
Common-mode to common-mode output return loss	SCC11 SCC22		-3		dB	At 0.01 to 11.1 GHz

Notes:

1. Reflection Coefficient given by equation $SDD11(dB) < -12 + 2 \times \text{SQRT}(f)$, with f in GHz
2. Reflection Coefficient given by equation $SDD11(dB) < -6.3 + 13 \times \log_{10}(f/5.5)$, with f in GHz

4. Mechanical Specifications

The connector is compatible with the SFF-8436 specification.

Length (m)	Cable AWG
1	30
2	30/26
3	30/26
4	26
5	26/24
6	24
7	24

5. Ordering Information

OEM	Part Number	OEM	Part Number
HPE	674848-001-A	HPE	QSFP-56GB-DACP-AP-HP-50-A
HPE	674849-001-A	HPE	QSFP-56GB-DACP-AP-HP-25-1-A
HPE	674850-001-A	HPE	QSFP-56GB-DACP-AP-HP-25-A
HPE	674851-001-A	HPE	QSFP-56GB-DACP-AP-HP-3M-A
HPE	674852-001-A	HPE	QSFP-56GB-DACP-AP-HP-4M-1-A
HPE	670759-B25-A	HPE	QSFP-56GB-DACP-AP-HP-4M-A
HPE	670759-B23-A	HPE	QSFP-56GB-DACP-AP-HP-5M-1-A
HPE	670759-B24-A	HPE	QSFP-56GB-DACP-AP-HP-5M-A
Mellanox	MCP170L-F00A-A	Mellanox	QSFP-56GB-DACP-AP-ME-25-A
Mellanox	MCP170L-F001-A	Mellanox	QSFP-56GB-DACP-AP-ME-4M-A
Mellanox	MCP170L-F01A-A	Mellanox	QSFP-56GB-DACP-AP-ME-5M-A
Mellanox	MCP170L-F002-A	Mellanox	MC2207130-001-A
Mellanox	MCP170L-F003-A	Mellanox	MC2207130-002-A
Mellanox	MC2207130-00A-A	Mellanox	MC2207128-0A2-A
Mellanox	MC2207130-0A1-A	Mellanox	MC2207128-003-A
Mellanox	MC2207126-004-A	Mellanox	MC2207126-005-A
MSA	AN-QSFP56G-P-0.5M	MSA	AN-QSFP56G-P-1M
MSA	AN-QSFP56G-P-1.5M	MSA	AN-QSFP56G-P-2M
MSA	AN-QSFP56G-P-2.5M	MSA	AN-QSFP56G-P-3M
MSA	AN-QSFP56G-P-4M	MSA	AN-QSFP56G-P-5M

6. Contact Information

Tel: 800.590.9535

Web: <http://www.approvednetworks.com>