

Features

- Supports 8.0Gb/s to 11.1Gb/s bit rates
- Hot-pluggable XFP footprint, Built-in digital diagnos
- Maximum link length of 300m with MMF-OM3
- 850nm VCSEL laser and PIN photodiode
- XFP MSA package with duplex LC connector
- No reference clock required
- Single +3.3V power supply
- Power dissipation <1.5W
- Compatible with RoHS
- Temperature range: 0 to +70°C



Applications

- SONET OC-192&SDH STM-64 at 9.953Gbps
- 10GBASE-SR/SW 10G Ethernet
- 1200-MX-SN-I 10Gigabit Fiber Channel
- 10GE over G.709 at 11.09Gbps
- OC192 over FEC at 10.709Gbps
- Other optical links, up to 11.3Gbps

1. Absolute Maximum Ratings

Any stress beyond the maximum ratings can result in permanent damage. The device specifications are guaranteed only under the recommended operating conditions.

Parameter	Symbol	Min	Max	Unit
Supply Voltage	Vcc	-0.5	4.5	V
Storage Temperature	Ts	-40	+85	°C
Operating Humidity	-	5	85	%

2. Recommended Operating Conditions

Parameter	Symbol	Min	Typical	Max	Unit
Operating Case Temperature	Tc	0		+70	°C
Power Supply Voltage @3.3V	Vcc	3.135	3.30	3.465	V
Power Supply Current	Icc			500	mA
Data Rate		8.0		11.1	Gbps

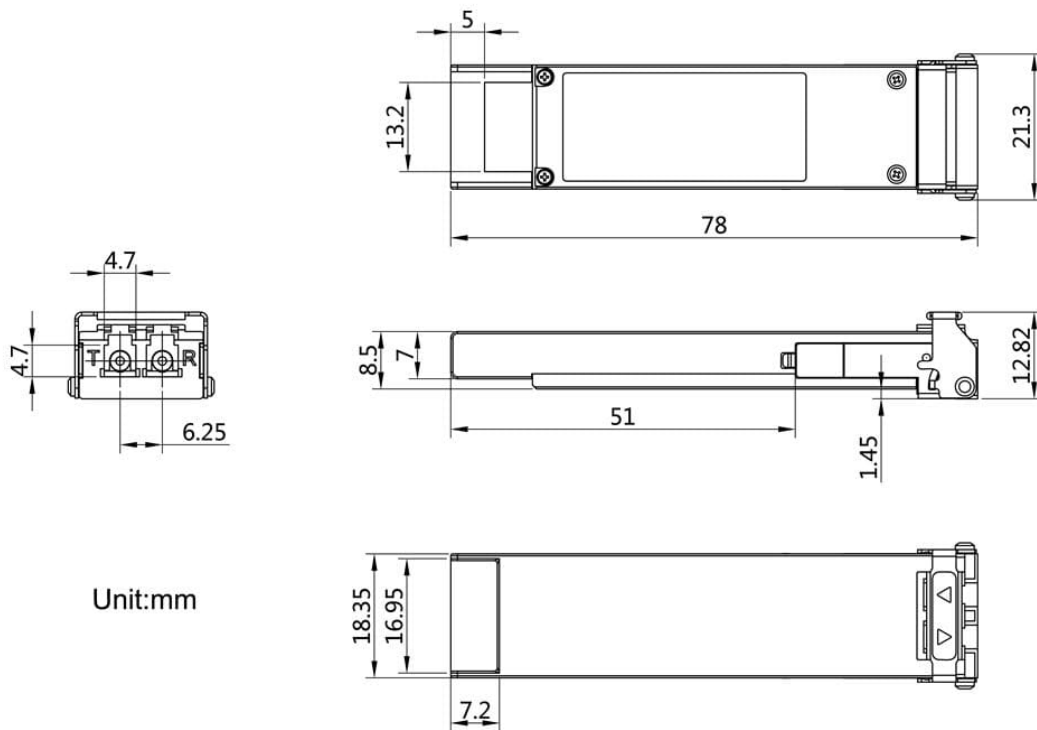
3. Optical and Electrical Characteristics

Parameter	Symbol	Min	Typ	Max	Unit	Notes
Transmitter						
Centre Wavelength	λ_c	840	850	860	nm	
Spectral Width (-20dB)	$\Delta\lambda$			0.45	nm	
Side-Mode Suppression Ratio	SMSR	-	-	-	dB	
Average Output Power	Pout	-6.5		-0.5	dBm	1
Extinction Ratio	ER	3.0			dB	
Data Input Swing Differential	VIN	180		950	mV	2
Input Differential Impedance	ZIN	90	100	110	Ω	
TX Disable	Disable		2.0	Vcc	V	
	Enable		0	0.8	V	
Receiver						
Centre Wavelength	λ_c	840		860	nm	
Receiver Sensitivity				-11.1	dBm	3
Receiver Overload		0.5			dBm	3
LOS De-Assert	LOSD			-12	dBm	
LOS Assert	LOSA	-26			dBm	
LOS Hysteresis		0.5		4	dB	
Data Output Swing Differential	Vout	400	600	800	mV	2
LOS	High	2.0		Vcc	V	
	Low			0.8	V	

Notes:

1. The optical power is launched into SMF.
2. Internally AC-coupled.
3. Measured with a PRBS 2³¹-1 test pattern @9953Mbps, BER $\leq 1 \times 10^{-12}$.

4. Mechanical Diagram



Note: External physical characteristics are subject to variation. This may include, but is not limited to, external case designs, pull tab colors and/or shapes, removal latch styles or colors, and label sizes and placement. These variations do not affect the function or characteristics of the transceivers.

6. Ordering Information

OEM	Part Number	OEM	Part Number
3Com	3CXFP94-A	Finisar	FTLX8512D3BCL-A
Adtran	1442901G1-A	Force	GP-XFP-1S-A
Alcatel-Lucent	3HE00566AA-A	Fortinet	FG-TRAN-XFPSR-A
Alcatel-Lucent	3HE00566CA-A	Fujitsu	FC9685TC25-A
Alcatel-Lucent	3HE05830CA-A	H3C	0231A494-A
Alcatel-Lucent	XFP-10G-SR-ALCATEL-A	IBM	40K8890-A
Allied Telesis	AT-XPSR-A	IBM	45W2810-A
Aruba	XFP-SR-A	IBM	69Y0377-A
Brocade-Foundry	10G-XFP-SR-A	IBM	69Y0389-A
BTI	BP3AM4SS-A	Infinera	TOM-10G-SR0-TX-A
Calix	100-01629-A	Infinera	TRX100029-A
Ciena	NTTP81AA-A	Intel	TXN181070850X2D-A

Ciena	NTTP86AA-A	JDSU	JXP-01SWAC1-A
Ciena	XCVR-A00Z85-A	JDSU	PLRXXL-SC-S43-C1-A
Cisco	XFP-10G-SR-A	Juniper	EX-XFP-10GE-SR-A
Cisco	XFP-10G-MM-SR-A	Juniper	SRX-XFP-10GE-SR-A
Cisco	ONS-XC-10G-SR-MM-A	Juniper	XFP-10G-S-A
Cisco	10GEXFP-SR-CSC	Juniper	XFP-10GE-SR-A
Citrix	EW3A0000713-A	Juniper	10GXFP030-J
Citrix	EW3B0000713-A	MRV	XFP-10GD-MMX-A
Citrix	EW3C0000713-A	MRV	XFP-10GD-SX-A
Citrix	EW3D0000713-A	MRV	XFP-10GED-SX-A
Citrix	EW3E0000713-A	MSA Generic	AN-XFP-SR
Citrix	EW3F0000713-A	MSA OnePort	OP-XFP-SR
Citrix	EW3P0000560-A	Netgear	AXM751-A
Citrix	EW3Z0000588-A	Nortel	AA1403005-E5-A
Cyan	280-0056-00-A	Palo Alto	PAN-XFP-SR-A
Cyan	280-0120-00-A	Redback	OIM-SXFP-10GE-SR-A
D-Link	DEM-421XT-A	SMC	SMC10GXFP-SR-A
DELL	320-5164-A	Sun	5558A-Z-A
Delta	TSP-10G3A1EER-A	Telco	BTI-10GSR-DD-XFP-A
Edgecore	ET5302-SR-A	Tellabs	81.X111GSR1131S-A
Enterasys	10GBASE-SR-XFP-A	Transition Networks	TN-XFP-SR-A
Extreme	10121-A	Zhone	MXK-10GE-XFP-SR-A
F5 Networks	F5UPGXFPR-A	ZTE	XFP-10GE-M-A
Finisar	FTLX8511D3-A		

6. Contact Information

Tel: 800.590.9535

Web: <http://www.approvednetworks.com>